

Mouldings



du Bois
Carvings

Summer 2010

Moulding Collection

MC4 shown in use

Rope Crown	4-5
Dentil Crown	6
Standard Crown	7-8
Rope	9-11
Dentil	12-13
Embossed	14-15
Base	16
Accent	17-18
Beauty	19
Fluted	20-21
Corner	22-23
Transition Blocks	24
Rosettes	25
Creative Column	26-27
Dovetail Drawer Boxes	28-29



CANMADE
FURNITURE PRODUCTS INC

Rope Crown

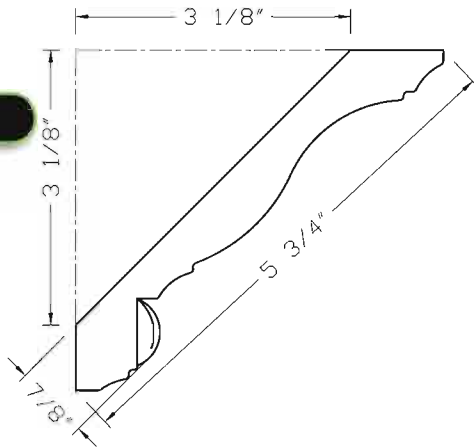
All mouldings sold in 8' lengths

MC1

**Crown Moulding
with 3/4" Rope
5-3/4" x 7/8"**

Carton Quantity: 56'

Alder, Cherry, Hard Maple,
Oak, and Poplar



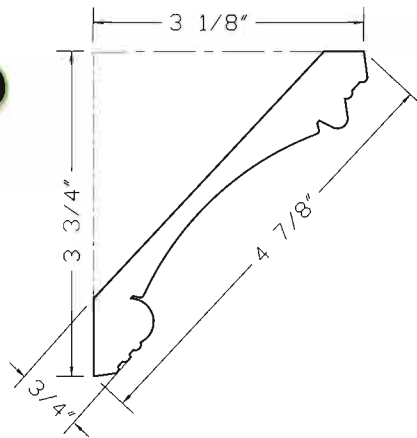
MC2

**Crown Moulding
with 1/2" Rope
4-7/8" x 3/4"**

Carton Quantity: 64'

Alder, Cherry, Hard Maple,
Oak, and Poplar

*Available without rope
in Hard Maple



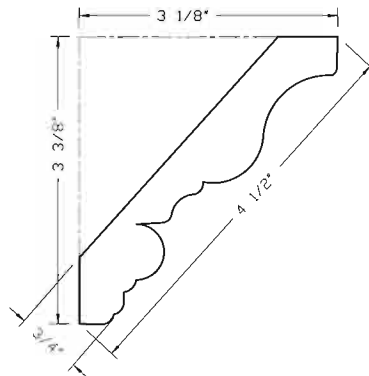
MC4

**Crown Moulding
with 3/4" Rope
4-1/2" x 3/4"**

Carton Quantity: 72'

Alder, Cherry, Hard Maple,
Oak, and Poplar

*Available without rope
in Hard Maple



Rope Crown

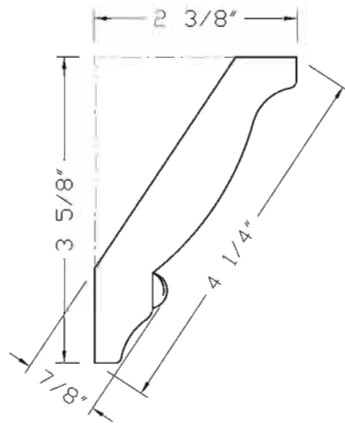


RC1

**Crown Moulding
with 1/2" Rope
4-1/4" x 7/8"**

Carton Quantity: 72'

Alder, Cherry, Hard Maple,
Oak, and Poplar

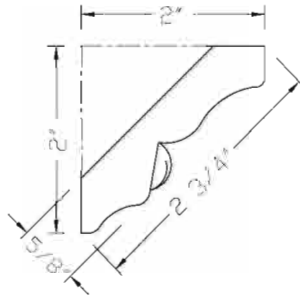


RC2

**Crown Moulding
with 1/2" Rope
2-3/4" x 5/8"**

Carton Quantity: 120'

Alder, Cherry, Hard Maple,
Oak, and Poplar

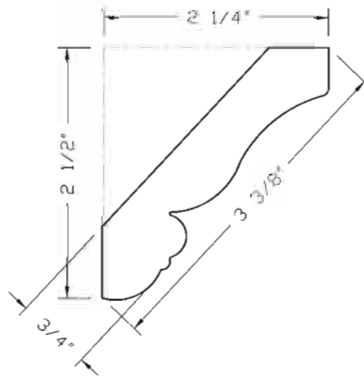


SC2R

**Standard Crown Moulding
with 1/2" Rope
3-3/8" x 3/4"**

Carton Quantity: 80'

Alder, Cherry, Hard Maple,
Oak, and Poplar



FBC1

**Flat Back Crown Moulding
with 1/2" Rope
2" x 1-1/8"**

Carton Quantity: 120'

Alder, Cherry, Hard Maple,
Oak, and Poplar



Dentil Crown

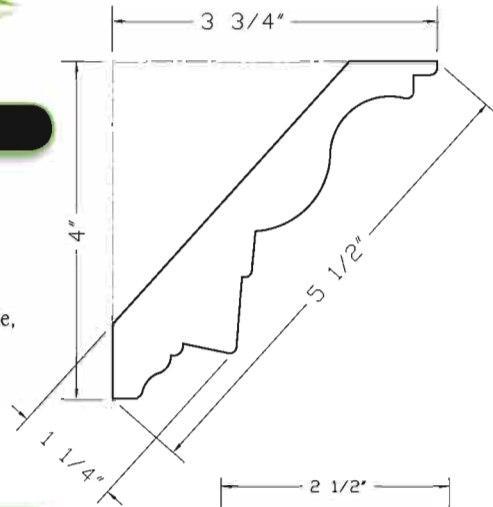
All mouldings sold in 8' lengths

DC2

**Crown Moulding
with 1" Dentil**
5-1/2" x 1-1/4"

Carton Quantity: 56'

Alder, Cherry, Hard Maple,
Oak, and Poplar

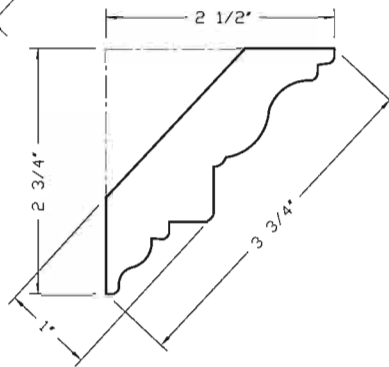


DC1

**Crown Moulding
with 5/8" Dentil**
3-3/4" x 1"

Carton Quantity: 72'

Alder, Cherry, Hard Maple,
Oak, and Poplar

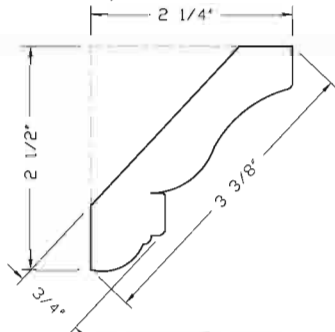


SC2D

**Standard Crown Moulding
with 1/2" Dentil**
3-3/8" x 3/4"

Carton Quantity: 80'

Alder, Cherry, Hard Maple,
Oak, and Poplar

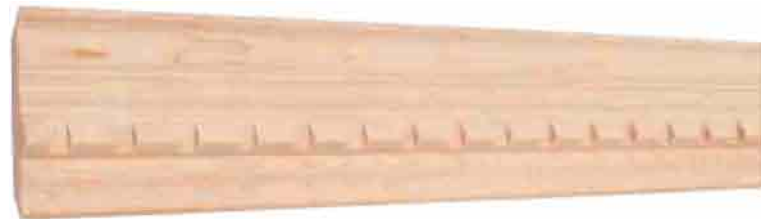
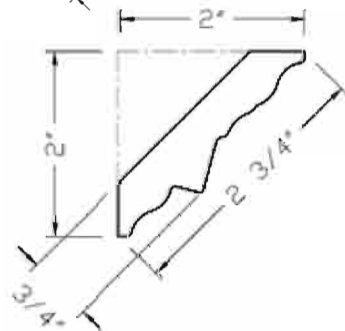


DC4

**One Piece Dentil Crown
Moulding with
5/16" gap and 5/8" teeth**
2-3/4" x 3/4"

Carton Quantity: 80'

Alder, Cherry, Hard Maple,
Oak, and Poplar

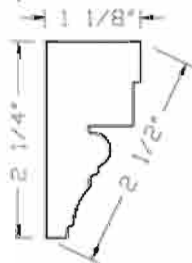


MC6

**Flat Back Crown Moulding
with Embossed Rope
and Applied 1/2" Dentil**
2-1/4" x 1-1/8"

Carton Quantity: 80'

Alder, Cherry, Hard Maple,
Oak, and Poplar

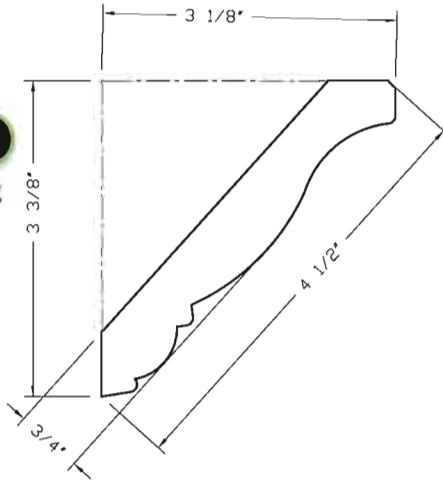


SC20

Standard Crown Moulding 4-1/2" x 3/4"

Carton Quantity: 72'

Alder, Cherry, Hard Maple,
Oak, and Poplar

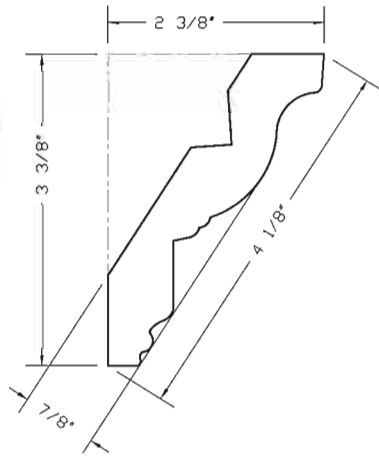


SC19

Standard Crown Moulding 4-1/8" x 7/8"

Carton Quantity: 72'

Alder, Cherry, Hard Maple,
Oak, and Poplar

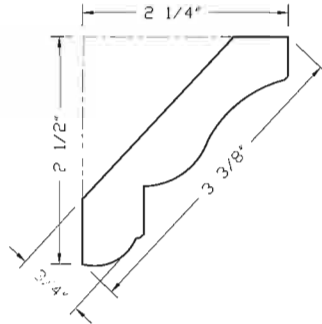


SC2

Standard Crown Moulding 3-3/8" x 3/4"

Carton Quantity: 80'

Alder, Cherry, Hard Maple,
Oak, and Poplar

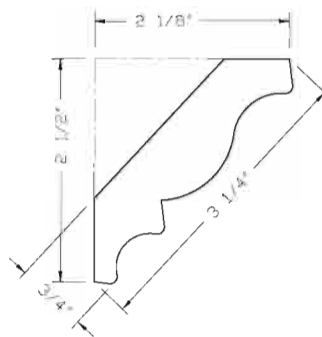


SC1

Standard Crown Moulding 3-1/4" x 3/4"

Carton Quantity: 80

Alder, Cherry, Hard Maple,
Oak, and Poplar



Crown

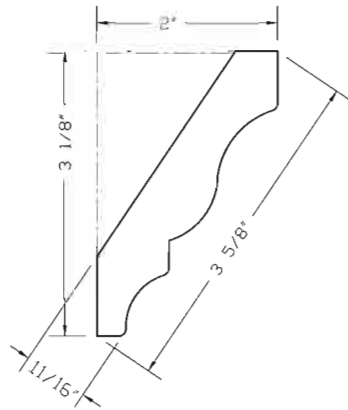
All mouldings sold in 8' lengths

SC5

Standard Crown Moulding 3-5/8" x 11/16"

Carton Quantity: 80'

Alder, Cherry, Hard Maple,
Oak, and Poplar

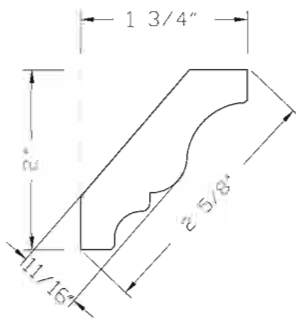


SC3

Standard Crown Moulding 2-5/8" x 11/16"

Carton Quantity: 120'

Alder, Cherry, Hard Maple,
Oak, and Poplar

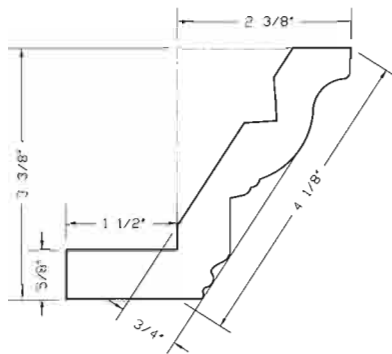


SC19-E

Full Overlay Crown Moulding 4-1/8" x 3/4"

Carton Quantity: 40'

Alder, Cherry, Hard Maple,
and Oak

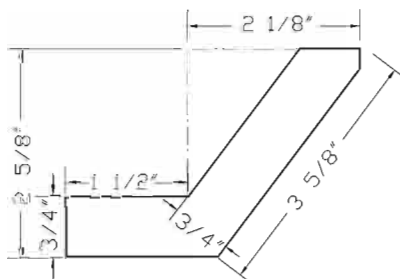


SC4-E

Full Overlay Shaker Style Crown Moulding 3-5/8" x 3/4"

Carton Quantity: 48'

Alder, Cherry, Hard Maple,
and Oak



2-1/2"

**RMH250
Half-Round Moulding**

RMH250 Carton Quantity: 4 pcs. 8' length

Alder, Cherry, Hard Maple,
Oak, and Poplar



2"

**RMH2
Half-Round Moulding**

RMH2 Carton Quantity: 5 pcs. 8' length

Alder, Cherry, Hard Maple,
Oak, and Poplar

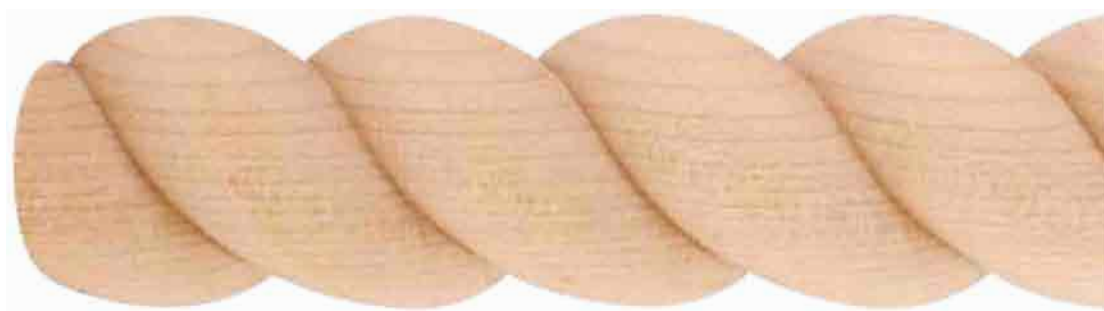


1-1/2"

**RMH150
Half-Round Moulding**

RMH150 Carton Quantity: 10 pcs. 8' length

Alder, Cherry, Hard Maple,
Oak, and Poplar



1"

**RMH1
Half-Round Moulding**

RMH1 Carton Quantity: 20 pcs. 8' length

Alder, Cherry, Hard Maple,
Oak, and Poplar



Shown actual size

Rope

All mouldings sold in 8' lengths

Full carton quantities only

3/4"

RMH34

Half-Round Moulding

RMH34 Carton Quantity: 20 pcs. 8' length

Alder, Ash, Cherry, Hard Maple,
Oak, and Poplar



3/4" - TIGHT

RMH34T

Half-Round Moulding

RMH34T Carton Quantity: 20 pcs. 8' length

Alder, Cherry, Hard Maple,
Oak, and Poplar



3/4" - BEADED

RMH34B

Half-Round Moulding

RMH34B Carton Quantity: 20 pcs. 8' length

Alder, Cherry, Hard Maple,
Oak, and Poplar



5/8"

RMH58

Half-Round Moulding

RMH58 Carton Quantity: 20 - 8' length

Alder, Cherry, Hard Maple,
Oak, and Poplar



5/8" - TIGHT

RMH58T

Half-Round Moulding

RMH58T Carton Quantity: 20 - 8' length

Alder, Cherry, Hard Maple,
Oak, and Poplar



Shown actual size

1/2"

RMH12 Half-Round Moulding

RMH12 Carton Quantity: 20 pcs. 8' length
Alder, Cherry, Hard Maple,
Oak, and Poplar



1/2" - TIGHT

RMH12T Half-Round Moulding

RMH12T Carton Quantity: 20 pcs. 8' length
Alder, Cherry, Hard Maple,
Oak, and Poplar



3/8"

RMH38 Half-Round Moulding

RMH38 Carton Quantity: 20 pcs. 8' length
Alder, Cherry, Hard Maple,
Oak, and Poplar



3/8" - TIGHT

RMH38T Half-Round Moulding

RMH38T Carton Quantity: 20 pcs. 8' length
Alder, Cherry, Hard Maple,
Oak, and Poplar



1/4"

RMH14 Half-Round Moulding

RMH14 Carton Quantity: 20 pcs. 8' length
Alder, Cherry, Hard Maple,
Oak, and Poplar



Shown actual size



Dentil

All mouldings sold in 8' lengths

Full carton quantities only

DEN1

Dentil with 1/8" gap and 3/4" teeth
1-1/4" x 1/2"

Carton Quantity: 120'

Alder, Cherry, Hard Maple, Oak, and Poplar



DEN10

Dentil with 1/4" gap and 7/8" teeth
1" x 5/16"

Carton Quantity: 120'

Alder, Cherry, Hard Maple, Oak, and Poplar



DEN3

Dentil with 1/4" gap and 1/2" teeth
7/8" x 3/8"

Carton Quantity: 120'

Alder, Cherry, Hard Maple, Oak, and Poplar



DEN7

Dentil with 1/8" gap and 1/2" teeth
11/16" x 1/4"

Carton Quantity: 120'

Alder, Cherry, Hard Maple, Oak, and Poplar



DEN19

Dentil with 1/4" gap and 1/2" teeth
3/4" x 1/2"

Carton Quantity: 120'

Alder, Cherry, Hard Maple, Oak, and Poplar



DEN18

Dentil with 1/4" gap and 1/2" teeth
5/8" x 1/4"

Carton Quantity: 120'

Alder, Cherry, Hard Maple, Oak, and Poplar



Shown actual size

DEN5

Dentil with 3/16" gap
and 1/2" teeth
1/2" x 1/4"
Fits into SC2 Crown

Carton Quantity: 120'

Alder, Cherry, Hard Maple,
Oak, and Poplar



DEN21

Dentil with 1/4" gap
and 3/4" teeth
5/8" x 3/8"

Carton Quantity: 120'

Alder, Cherry, Hard Maple,
Oak, and Poplar



DEN20

Dentil with 1/2" gap
and 1/2" teeth
1-1/4" x 5/8"

Carton Quantity: 120'

Alder, Cherry, Hard Maple,
Oak, and Poplar



DEN8

Dentil with 1/4" gap
and 5/8" teeth
5/8" x 1/2"
Fits into DC1 Crown

Carton Quantity: 120'

Alder, Cherry, Hard Maple,
Oak, and Poplar

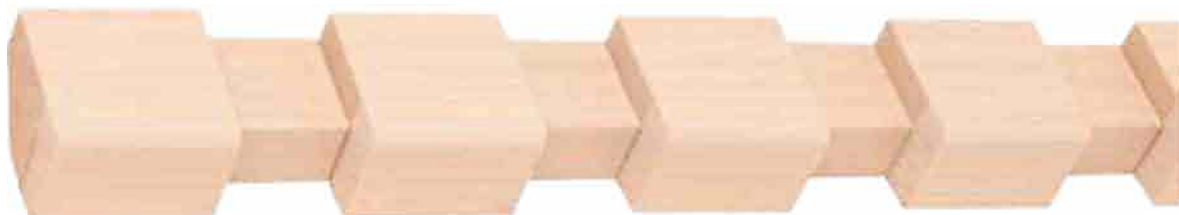


DEN9

Dentil with 3/4" gap
and 1" teeth
1" x 5/8"
Fits into DC2 Crown

Carton Quantity: 120'

Alder, Cherry, Hard Maple,
Oak, and Poplar



Shown actual size



Embossed

All mouldings sold in 8' lengths

EM-3

**Sausage and Bead
Embossed Moulding**
5/8" x 1/4"

Carton Quantity: 120'
Alder, Cherry, Hard Maple,
Oak, and Poplar



EM-4

**Egg and Dart
Embossed Moulding**
1" x 9/16"

Carton Quantity: 120'
Alder, Cherry, Hard Maple,
Oak, and Poplar



EM-5

**Beaded Embossed
Moulding**
1-1/4" x 5/16"

Carton Quantity: 120'
Alder, Cherry, Hard Maple,
Oak, and Poplar



EM-2

**Double Dentil
Embossed Moulding**
1-1/2" x 7/8"

Carton Quantity: 80'
Alder, Cherry, Hard Maple,
Oak, and Poplar



Shown actual size

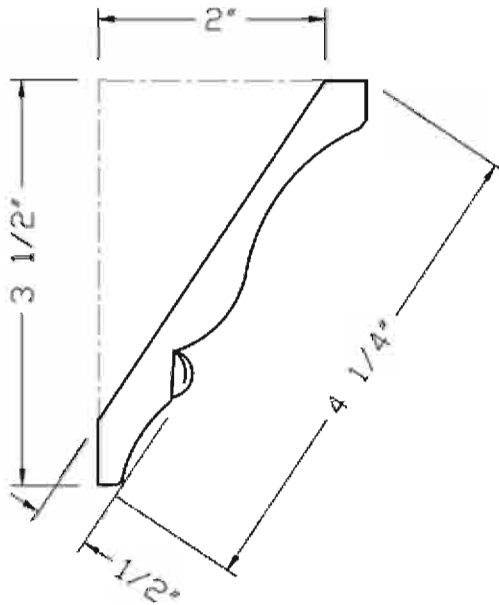


EM-6

Rope Embossed Moulding 4-1/4" x 1/2"

Carton Quantity: 80'

Alder, Cherry, Hard Maple,
Oak, and Poplar

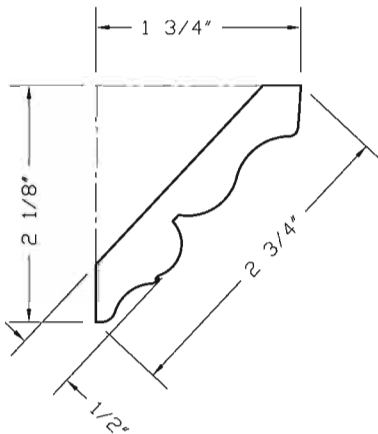


EM-9

Rope Embossed Moulding 2-3/4" x 1/2"

Carton Quantity: 120'

Alder, Cherry, Hard Maple,
Oak, and Poplar



Shown actual size

BBM1

**Base Moulding
with 1/2" Rope
3-1/2" x 5/8"**

Carton Quantity: 80'

Alder, Cherry, Hard Maple,
Oak, and Poplar

3-1/2"



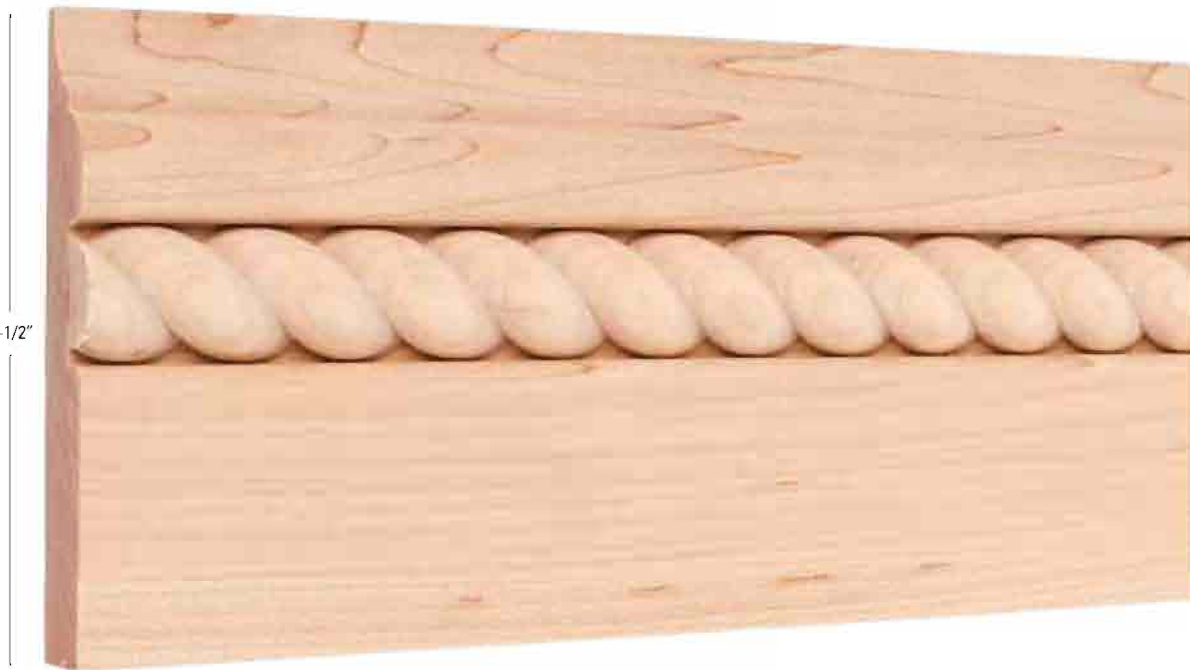
BBM2

**Base Moulding
with 3/4" Rope
3-1/2" x 3/4"**

Carton Quantity: 80'

Alder, Cherry, Hard Maple,
Oak, and Poplar

3-1/2"



Shown actual size

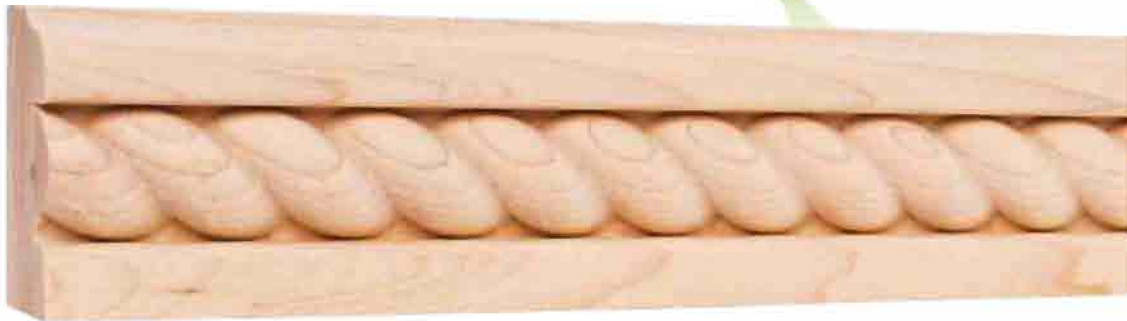
SE1

**Shelf Moulding
with 3/4" Rope
1-5/8" x 7/8"**

Carton Quantity: 120'

Alder, Cherry, Hard Maple,
Oak, and Poplar

1-5/8"



BFM1

**Beaded Frame Moulding
13/16" x 3/8"**

Carton Quantity: 120'

Alder, Cherry, Hard Maple,
and Poplar

13/16"



SCRIBE1

**Scribe Moulding
3/4" x 3/16"**

Carton Quantity: 320'

Alder, Cherry, Hard Maple,
Oak, and Poplar

3/4"



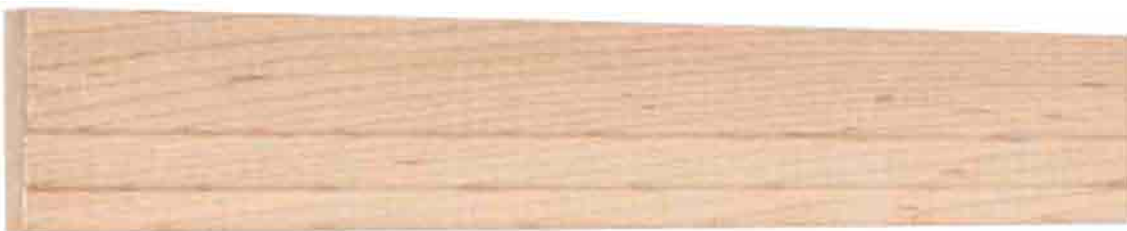
SCRIBE2

**Stepped Scribe Moulding
1-1/4" x 1/4"**

Carton Quantity: 120'

Alder, Cherry, Hard Maple, and Oak

1-1/4"



SCRIBE3

**Stepped Scribe Moulding
3/4" x 1/4"**

Carton Quantity: 160'

Alder, Cherry, Hard Maple, and Oak

3/4"



34QTR

**Quarter Round Moulding
3/4" x 3/4"**

Carton Quantity: 15 pcs. 8' length

Alder, Cherry, Hard Maple, and Oak

3/4"



12QTR

**Asymmetrical Quarter Round
Moulding
1/2" x 3/4"**

Carton Quantity: 15 pcs. 8' length

Alder, Cherry, Hard Maple,
Oak, and Poplar

3/4"



Shown actual size

Accent

All mouldings sold in 8' lengths

LR001

Light Rail Moulding
1-1/2" x 13/16"

Carton Quantity: 80'

Alder, Cherry, Hard Maple,
Oak, and Poplar

1-1/2"



LR002

Light Rail Moulding
2-1/4" x 1-1/2"

Carton Quantity: 48'

Alder, Cherry, Hard Maple,
Oak, and Poplar

2-1/4"



LR003

Light Rail Moulding
2-1/2" x 2-1/4"

Carton Quantity: 64'

Alder, Cherry, Hard Maple,
Oak, and Poplar

2-1/2"



OCM1

Outside Corner Moulding
3/4" x 3/4"

Carton Quantity: 120'

Alder, Cherry, Hard Maple,
Oak, and Poplar

3/4"



Shown actual size

BM4

Beauty Moulding
1-1/2" x 7/8"

Carton Quantity: 120'

Alder, Cherry, Hard Maple,
Oak, and Poplar

1-1/2"



BM2

Beauty Moulding
15/16" x 5/16"

Carton Quantity: 120'

Alder, Cherry, Hard Maple,
Oak, and Poplar

15/16"



BM1

Beauty Moulding
7/8" x 5/8"

Carton Quantity: 120'

Alder, Cherry, Hard Maple,
Oak, and Poplar

7/8"



BM3

Beauty Moulding
1" x 1/4"

Carton Quantity: 120'

Alder, Cherry, Hard Maple,
Oak, and Poplar

1"



Shown actual size

Fluted

All mouldings sold in 8' lengths



FLT2

Fluted Moulding
3" x 5/8"

Carton Quantity: 80'

Alder, Cherry, Hard Maple,
Oak, and Poplar

FLT3

Fluted Moulding
3-1/2" x 5/8"

Carton Quantity: 80'

Alder, Cherry, Hard Maple,
Oak, and Poplar

FLT4

Fluted Moulding
4" x 5/8"

Carton Quantity: 80'

Alder, Cherry, Hard Maple,
Oak, and Poplar

All mouldings sold in 8' lengths

Fluted



FLTC2

Curved Fluted Moulding
2-7/8" x 3/4"

Carton Quantity: 80'
Hard Maple

FLTC3

Curved Fluted Moulding
3-3/4" x 1"

Carton Quantity: 80'
Hard Maple

FLTC4

Curved Fluted Moulding
5" x 1-3/16"

Carton Quantity: 80'
Hard Maple



CC1

Flute Corner Moulding
2-3/4" x 3/4"

Carton Quantity: 80'

Alder, Cherry, Hard Maple,
Oak, and Poplar



CC4

Radius Corner Moulding
2-3/4" x 3/4"

Carton Quantity: 120'

Alder, Cherry, Hard Maple,
Oak, and Poplar



CC5

Reed Corner Moulding
2-5/8" x 3/4"

Carton Quantity: 120'

Alder, Cherry, Hard Maple,
Oak, and Poplar

Corner



CC2

Rope Corner Moulding
2-5/8" x 3/4"

Carton Quantity: 80'

Alder, Cherry, Hard Maple,
and Poplar



MC5

Corner Moulding
with 1-1/2" Rope
2-3/4" x 1-1/16"

Carton Quantity: 80'

Alder, Cherry, Hard Maple,
Oak, and Poplar

Transition Blocks



TB1

Transition Block
2-7/8" x 1-7/8" x 9-7/8"

Carton Quantity: 50

Alder, Cherry, Maple, Oak,
and Rubberwood



TB5

**Double/Center
Transition Block**
2-7/8" x 2" x 9-7/8"

Carton Quantity: 50

Alder, Cherry, Maple, Oak,
and Rubberwood



TB7

Transition Block
2-1/4" x 1-1/8" x 11-1/4"

Carton Quantity: 50

Hard Maple and Rubberwood



TB2

Transition Block
2-3/4" x 1-7/8" x 6"

Carton Quantity: 50

Alder, Cherry, Maple, Oak,
and Rubberwood



TB4

Plain Transition Block
2-3/4" x 1" x 4"

Carton Quantity: 50

Alder, Cherry, Hard Maple,
Oak, and Poplar



TB3

Radius Transition Block
2-3/4" x 1" x 4"

Carton Quantity: 50

Alder, Cherry, Hard Maple,
Oak, and Poplar



SPOL1

Spool
2-1/2" x 1-1/4" x 3"

Carton Quantity: 100

Cherry, Maple,
and Rubberwood

Rosettes



ROS1

Rosette
3" x 3" x 7/8"

Carton Quantity: 100

Alder, Cherry,
Maple, and Oak



ROS2

Rosette
3" x 3" x 7/8"

Carton Quantity: 100

Alder, Cherry, and Maple

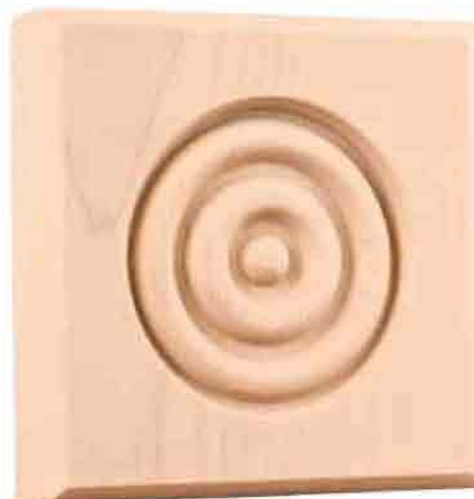


ROS3

Rosette
3-1/2" x 3-1/2" x 1-1/8"

Carton Quantity: 100

Alder, Cherry,
Maple, and Oak



ROS4

Rosette
4" x 4" x 1"

Carton Quantity: 100

Cherry, Maple, Oak, and Poplar



Creative Column



CMR

CMR150-36"/42"/96"
Half Round Reed Pattern
1-1/2" Column Moulding

CMR2-36"/42"/96"
Half Round Reed Pattern
2" Column Moulding

CMR250-36"/42"/96"
Half Round Reed Pattern
2-1/2" Column Moulding

CMR150 Carton Quantity: 4
CMR2 Carton Quantity: 4
CMR250 Carton Quantity: 4

Alder, Cherry, Hard Maple,
Oak, and Poplar



CMS

CMS150-36"/42"/96"
Half Round Smooth Pattern
1-1/2" Column Moulding

CMS2-36"/42"/96"
Half Round Smooth Pattern
2" Column Moulding

CMS250-36"/42"/96"
Half Round Smooth Pattern
2-1/2" Column Moulding

CMS150 Carton Quantity: 4
CMS2 Carton Quantity: 4
CMS250 Carton Quantity: 4

Alder, Cherry, Hard Maple,
Oak, and Poplar



CMD

CMD150-36"/42"/96"
Half Round Dowel Pattern
1-1/2" Column Moulding

CMD2-36"/42"/96"
Half Round Dowel Pattern
2" Column Moulding

CMD250-36"/42"/96"
Half Round Dowel Pattern
2-1/2" Column Moulding

CMD150 Carton Quantity: 4
CMD2 Carton Quantity: 4
CMD250 Carton Quantity: 4

Alder, Cherry, Hard Maple,
Oak, and Poplar



RMH

RMH150-36"/42"/96"
Rope Moulding Half Round
1-1/2" Column Moulding

RMH2-36"/42"/96"
Rope Moulding Half Round
2" Column Moulding

RMH250-36"/42"/96"
Rope Moulding Half Round
2-1/2" Column Moulding

RMH150 Carton Quantity: 4
RMH2 Carton Quantity: 4
RMH250 Carton Quantity: 4

Alder, Cherry, Hard Maple,
Oak, and Poplar

Creative Column



SPLH

Half Round Spool

SPLH150: 2-1/4" x 1-1/16" x 10"
(for use with 1-1/2" Column Moulding)

SPLH2: 2-3/4" x 1-5/16" x 10"
(for use with 2" Column Moulding)

SPLH250: 3-1/4" x 1-9/16" x 10"
(for use with 2-1/2" Column Moulding)

SPLH150 Carton Quantity: 20
SPLH2 Carton Quantity: 18
SPLH250 Carton Quantity: 15

Alder, Cherry, Hard Maple, Oak, and Poplar



CAP6

Reed Capital

CAP6-150: 2-5/8" x 1-1/4" x 3-5/8"
(for use with 1-1/2" Column Moulding)

CAP6-2: 3-1/2" x 1-3/4" x 4-3/4"
(for use with 2" Column Moulding)

CAP6-250: 4-3/8" x 2-1/8" x 5-7/8"
(for use with 2-1/2" Column Moulding)

CAP6-150 Carton Quantity: 100
CAP6-2 Carton Quantity: 50
CAP6-250 Carton Quantity: 50

Alder, Cherry, Maple, Oak, and Rubberwood



TF

Transition Finial

TF150: 2-1/4" x 1-1/8" x 3-1/2"
(for use with 1-1/2" Column Moulding)

TF2: 2-3/4" x 1-3/8" x 4-1/2"
(for use with 2" Column Moulding)

TF250: 3-1/4" x 1-3/8" x 5-1/2"
(for use with 2-1/2" Column Moulding)

TF150 Carton Quantity: 100
TF2 Carton Quantity: 100
TF250 Carton Quantity: 100

Alder, Cherry, Maple, and Oak



SPLICE

Half Round Spool

SPLICE150: 2-1/4" x 1-1/8" x 2-1/2"
(for use with 1-1/2" Column Moulding)

SPLICE2: 2-3/4" x 1-3/8" x 3"
(for use with 2" Column Moulding)

SPLICE250: 3-1/4" x 1-5/8" x 3-1/2"
(for use with 2-1/2" Column Moulding)

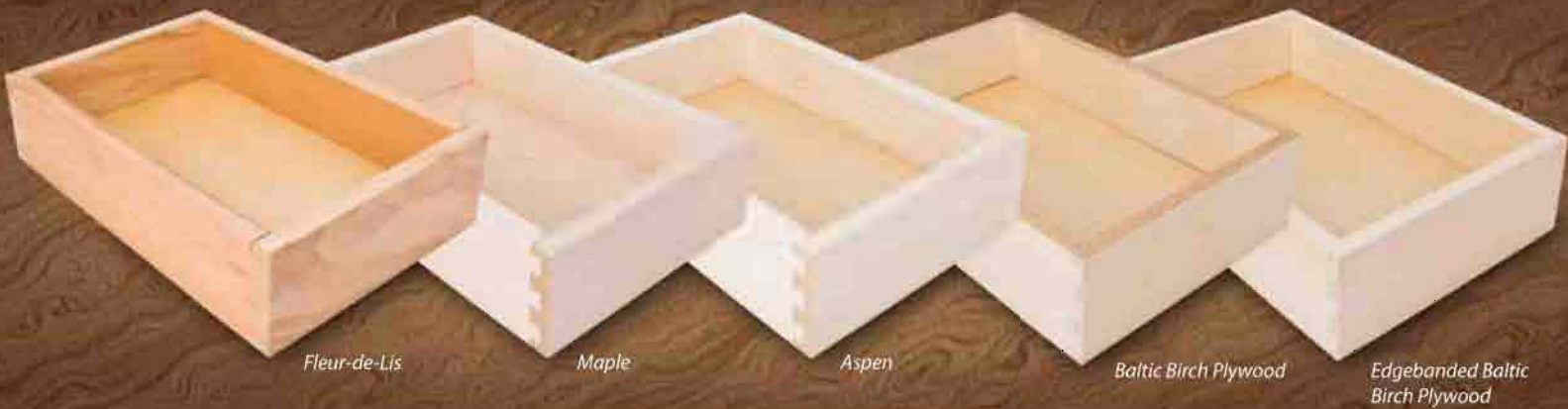
SPLICE150 Carton Quantity: 50
SPLICE2 Carton Quantity: 50
SPLICE250 Carton Quantity: 50

Alder, Cherry, Hard Maple, and Oak





Dovetail Drawer Boxes



Use our online Smart Ordering system to create custom dovetail drawer boxes:

- Standard Drawer, Rollout, or High-Back Rollout Boxes
- Assembled or Unassembled
- Standard Heights with Custom Depth & Width
- 1/4" Standard or 1/2" Bottom
- Optional Notch for Undermount Slides
- Free High Definition Laser Etching on Hardwood Boxes

5/8" Fleur-de-Lis UV Coated
 5/8" Maple UV Coated or Unfinished
 5/8" Aspen UV Coated
 1/2" Baltic Birch Plywood UV Coated or Unfinished
 1/2" Baltic Birch Plywood Edgebanded UV Coated

Hardwood & Plywood Heights:				Edgebanded Heights:		
2.0"	3.5"	6.0"	9.0"	3.0"	6.0"	9.0"
2.5"	4.0"	7.0"	9.5"	4.0"	7.0"	10.0"
3.0"	5.0"	8.0"	10.0"	5.0"	8.0"	



High-Back Rollout
(minimum 6" height)



Rollout

www.canmade.com

Laser Etching



We **Brand**
your **Business**

You **Sell**
more **Cabinets**



*High Definition Laser Etching
Available on all Hardwood Species*

No added lead time • No setup fee • No adder fee

Simply provide a high-resolution file of your brand. We'll do the rest!

Preferred file types are EPS, AI, PSD, PDF, JPEG.

Actual brand size is 2-1/2" wide by 1-1/2" tall

Placed on the front left inside edge on **every** box.

Don't have a logo? Choose from our preselected font options
to customize your company brand.



CANMADE

FURNITURE PRODUCTS INC

*280 Applewood crescent, Unit 1
Concord, ON, L4K 4B4*

Tel. 416 798 7198

Fax: 905 738 0864

Toll Free: 1 800 668 7636

e-mail: cnmdtor@canmade.com